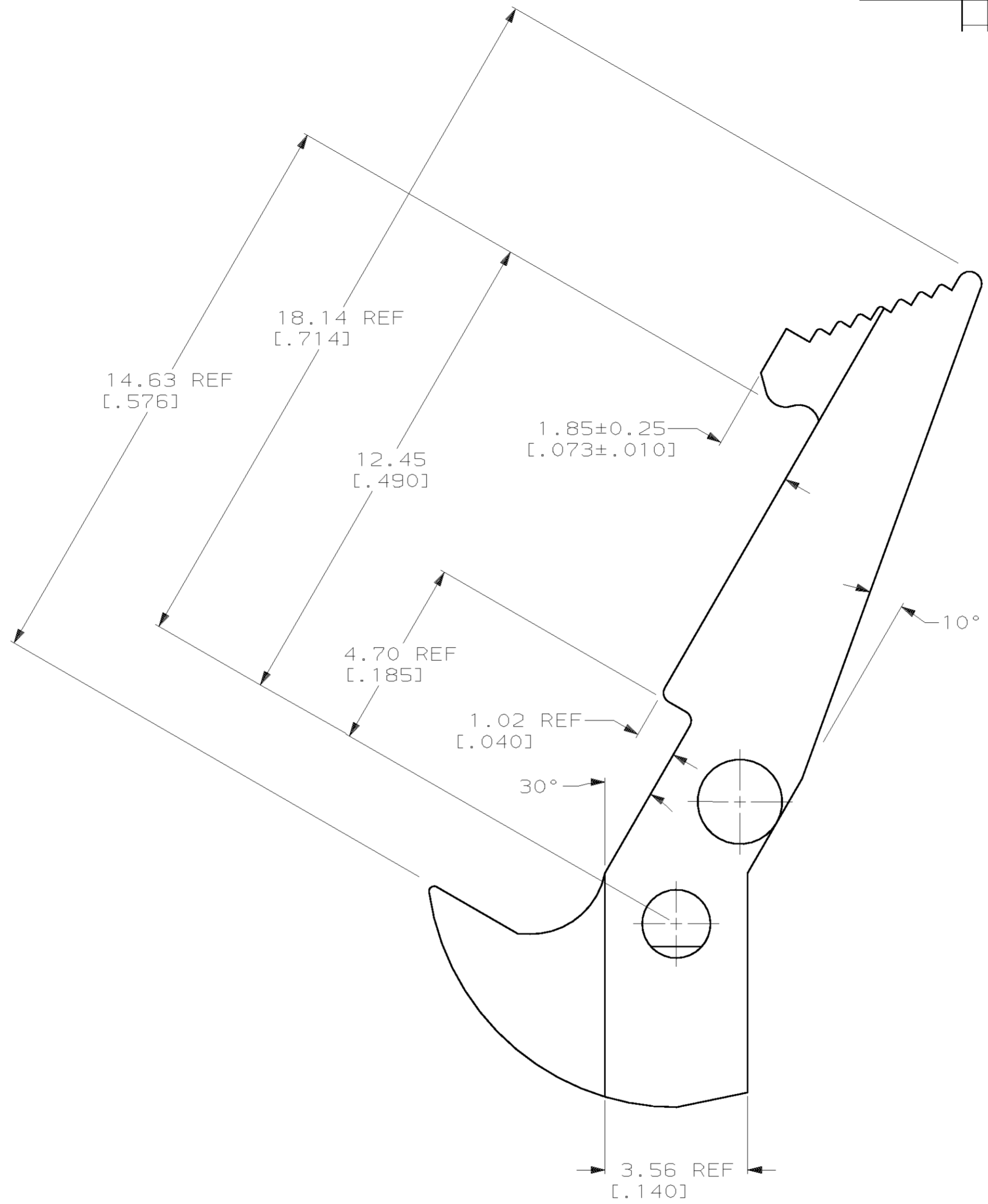
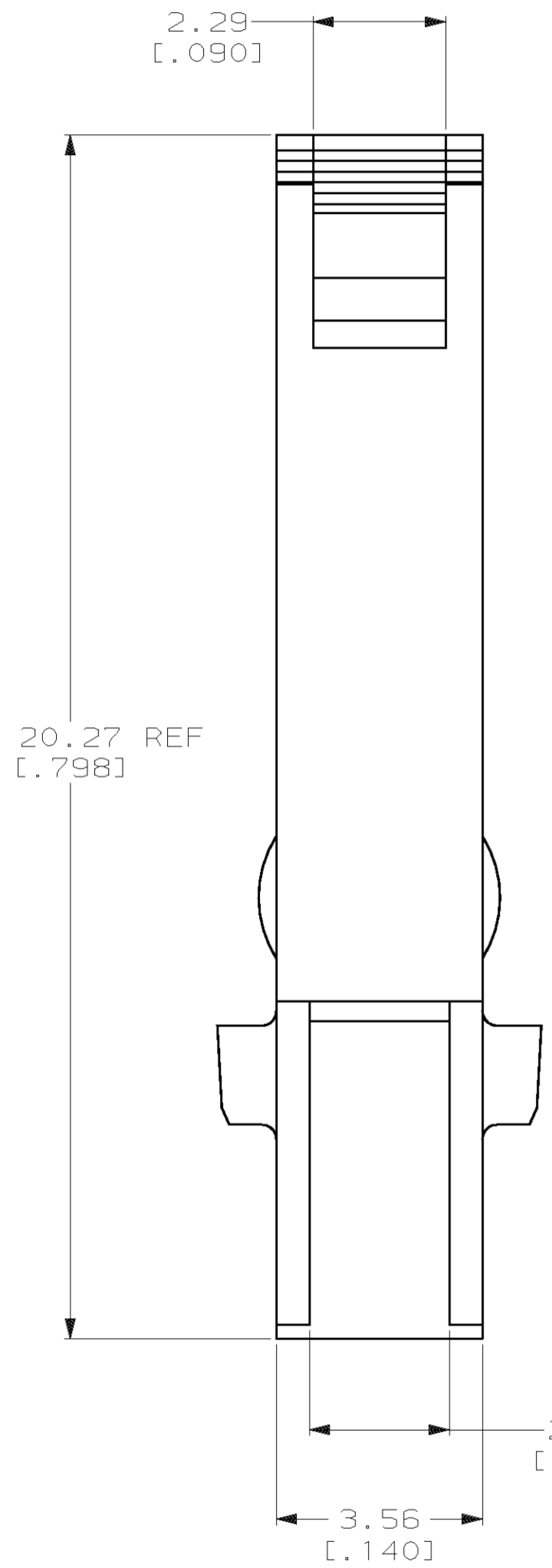


LOC	DIST	P	F	ZONE	LTR	DESCRIPTION	DATE	APPD
GP	00				F	REVISED PER EC 0513-0139-05	25MAY05	JG



1. TO BE USED WITH AMP-LATCH™ UNIVERSAL HEADER WHICH MATES WITH AMP-LATCH™ CONNECTOR WITH STRAIN RELIEF COVER.

BLUE	102320-3
BLACK	102320-1
COLOR	PART NO

DO NOT SCALE PRINT. UNLESS SPECIFIED DIMENSIONS IN mm [INCHES] TOLERANCES ON : 2 PLC DEC ± 0.13 [.005] 3 PLC DEC ± - ANGLES ± 1°	DR 07/08/92 D.GELTZ	AMP Incorporated Harrisburg, PA 17105-3608
	CHK 7-10-92 R.STONE	
MATERIAL FLAME RETARDANT PBT, UL94V-0 RATED	APPD 7-13-92 R.KILE	NAME LATCH, UNIVERSAL HEADER, AMP-LATCH
FINISH -	APPD 7-15-92 D.HOFFMAN	SIZE C 00779
	PRODUCT SPEC -	DRAWING NO C=102320
	APPLICATION SPEC -	SCALE 10:1
	WEIGHT -	SHEET 1 OF 1

THIS DRAWING IS A CONTROLLED DOCUMENT FOR AMP INCORPORATED. IT IS SUBJECT TO CHANGE AND THE CONTROLLING ENGINEERING ORGANIZATION SHOULD BE CONTACTED FOR THE LATEST REVISION.